



VK1624 Datasheet

14×4/13×5/12×6/11×7

LED DRIVER

Rev.1.3

Intellectual Property Statement:

Shenzhen Vinka Microelectronics Co., Ltd. (hereinafter referred to as “the Company”) owns legally registered intellectual property rights in both domestic and international jurisdictions. Any unauthorized use of the Company’s products or patented technologies by individuals or organizations is strictly prohibited.

The Company reserves the right to take legal action against any infringement, and to seek full compensation for damages or unlawful gains.

The Company’s name and trademarks are legally protected and may not be used or imitated without explicit written permission. No implied or express license shall be granted under any circumstances.

1 General Description

VK1624 is a dedicated chip for digital tube or dot matrix LED driver control, which integrates a 3-wire serial interface, data latch, LED driver and other circuits internally. The SEG pin is connected to the anode of the LED, and the GRID pin is connected to the cathode of the LED. It can support dot matrix LED display panels with 14SEG×4GRID, 13SEG×5GRID, 12SEG×6GRID, and 11SEG×7GRID. It is suitable for products that require reliability, stability and strong anti-interference ability. It adopts the SOP24/DIP24 packaging form.

2 Key Features

- Operating voltage: 3.0-5.5V
- Built-in RC oscillator
- 11 SEG pins, 4 GRID pins, and 3 configurable SEG/GRID multiplexing pins
- The SEG pin can only be connected to the anode of the LED, and the GRID pin can only be connected to the cathode of the LED
- 3-wire serial interface
- The overall brightness is adjustable at 8 levels
- The built-in display RAM is 14×8 bits
- Built-in power-on reset circuit
- Strong anti-interference ability
- Available Packages:
SOP24(300mil)(15.40mm × 7.50mm PP=1.27mm)

3 Application Field

- Small household appliances
- Induction cooker/microwave oven
- Pressure gauge

4 Product Selection

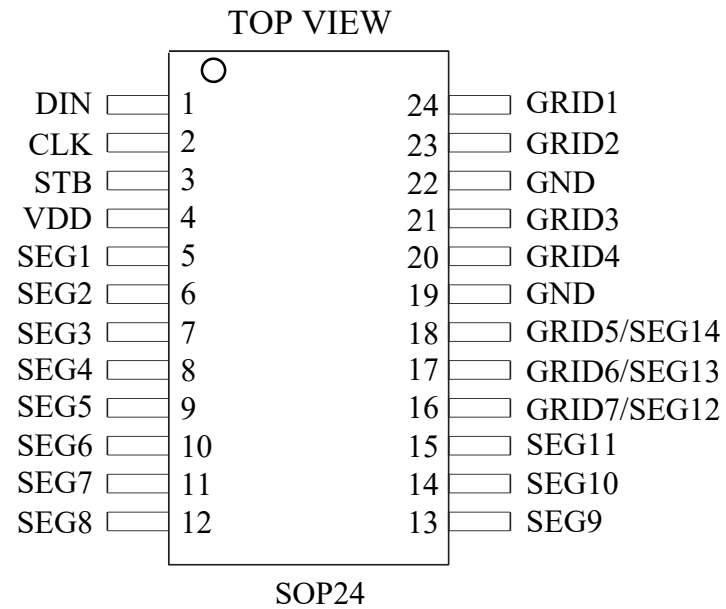
Part No.	Common Cathode Drive	Common Anode Drive	Key press	Packaging
VK1616	7 / 4	4 / 7	---	SOP16
VK1618	5 / 7, 6 / 6 7 / 5, 8 / 4	7 / 5, 6 / 6 5 / 7, 4 / 8	5×1	SOP18
VK1620	8 / 6, 9 / 5 10 / 4	6 / 8, 5 / 9 4 / 10	---	SOP20
VK1624	11 / 7, 12 / 6 13 / 5, 14 / 4	7 / 11, 6 / 12 5 / 13, 4 / 14	---	SOP24
VK1S68C	10 / 7, 11 / 6 12 / 5, 13 / 4	7 / 10, 6 / 11 5 / 12, 4 / 13	10×2	SSOP24
VK1Q68D	10 / 7, 11 / 6 12 / 5, 13 / 4	7 / 10, 6 / 11 5 / 12, 4 / 13	10×2	QFN24L (4mm*4mm)
VK1668	10 / 7, 11 / 6 12 / 5, 13 / 4	7 / 10, 6 / 11 5 / 12, 4 / 13	10×2	SOP24
VK1668B	10 / 7, 11 / 6 12 / 5, 13 / 4	7 / 10, 6 / 11 5 / 12, 4 / 13	10×2	SSOP24
VK1628	10 / 7, 11 / 6 12 / 5, 13 / 4	7 / 10, 6 / 11 5 / 12, 4 / 13	10×2	SOP28
VK1628A	10 / 7, 11 / 6 12 / 5, 13 / 4	7 / 10, 6 / 11 5 / 12, 4 / 13	10×2	SSOP28

Note: For both common cathode and common anode digital tubes, SEG is connected to the anode and GRID to the cathode.

5 Ordering Information

Part No.	Packaging	Tube Qty	Tray(reel) Qty	Box Qty	Total Qty	Notes
VK1616	SOP16	50/tube		10000/box	100000 PCS	
VK1618	SOP18					
VK1620	SOP20	36/tube		2880/box	28800 PCS	
VK1624	SOP24	30/tube		2400/box	24000 PCS	
VK1S68C	SSOP24	50/tube		10000/box	100000 PCS	
VK1Q68D	QFN24L (4mm*4mm)		3000/reel		24000 PCS	reel
VK1668	SOP24	30/tube		2400/box	24000 PCS	
VK1668B	SSOP24	50/tube		10000/box	100000 PCS	
VK1628	SOP28	26/tube		2080/box	20800 PCS	
VK1628A	SSOP28	50/tube		5000/box	50000 PCS	

6 Package Pinout Information(SOP24)



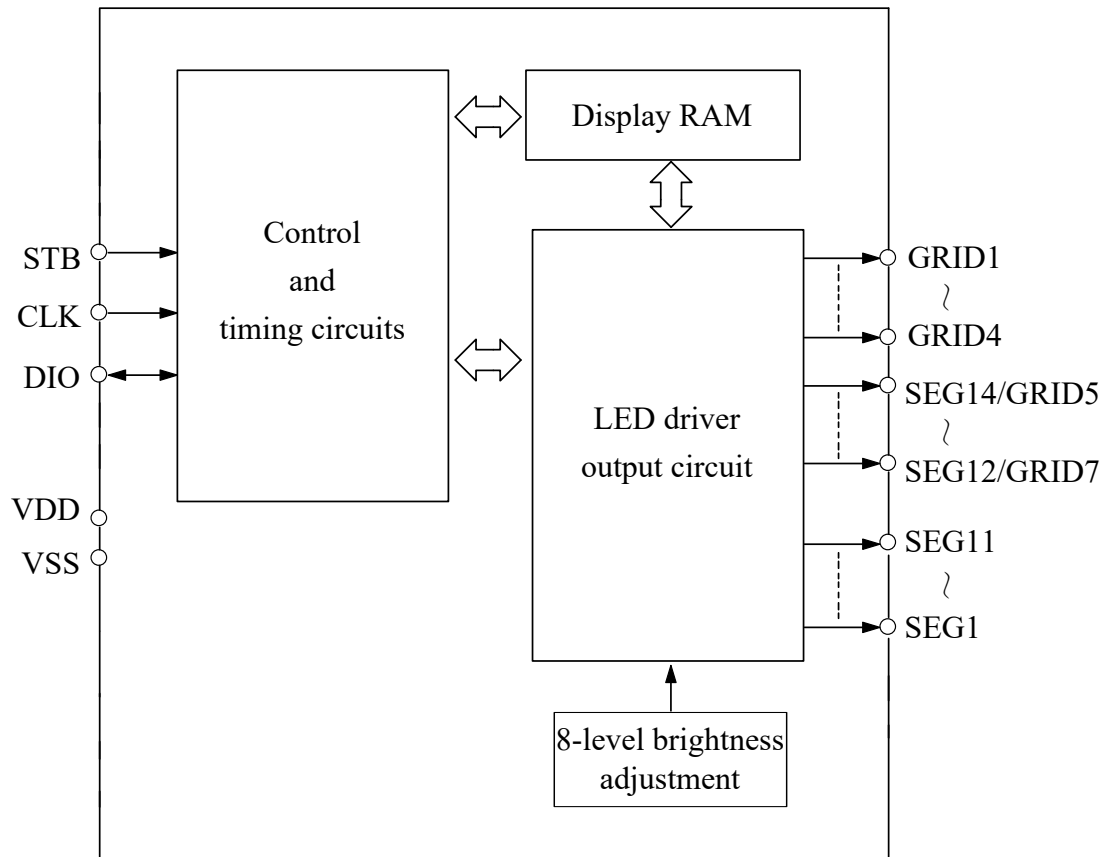
For more information: [Page 15](#)

6.1 VK1620/SOP24 Pin Description

No.	Name	I/O	Function
1	DIN	I	The data input port inputs serial data at the rising edge of the clock, starting from the lower bit.
2	CLK	I	The clock signal reads DIO pin data to the display RAM at the rising edge and outputs data to the DIO pin at the falling edge
3	STB	I	Chip selection signal, high level disabled, low level enabled
4	VDD	VDD	Positive power supply
5-15	SEG1-SEG11	O	LED SEG output (P-channel)
16, 17 18	SEG12/GRID7- SEG14/GRID5	O	LED SEG/GRID multiplexing output can be configured as either SEG output or GRID output through software
20, 21 23, 24	GRID4-GRID1	O	LED GRID output (N-channel open-drain output)
19,22	GND	GND	Negative power supply

7 Functional Description


7.1 Block Diagram



7.2 Display RAM- Storage Structure

The static display memory (RAM) has a structure of 14×8 bits and stores the displayed data. The content of RAM is directly mapped to the display content of the LED driver, with display addresses ranging from 0×C to 0×CD, and there are a total of 14 display units. If you want to turn on or off a certain LED, simply set the corresponding display RAM position to 1 or clear to 0. For example, to control the on/off of LED1 driven by pins SEG1 and GRID1, simply set the bit0 position of the corresponding display RAM (address 0×C0) to 1 or clear to 0. Clear the RAM bits corresponding to the unused SEG pins in the application to 0.

The process of mapping the contents in RAM to LED is shown in the following table:

SEG GRID	X	X	SEG14	SEG13	SEG12	SEG11	SEG10	SEG9	Addr	SEG8	SEG7	SEG6	SEG5	SEG4	SEG3	SEG2	SEG1	Addr	SEG GRID
GRID1									0xC1									0xC0	GRID1
GRID2									0xC3									0xC2	GRID2
GRID3									0xC5									0xC4	GRID3
GRID4									0xC7									0xC6	GRID4
...								
GRID7									0xCD									0xCC	GRID7
	D7	D6	D5	D4	D3	D2	D1	D0		D7	D6	D5	D4	D3	D2	D1	D0		

Note:

1. The value stored inside the chip display RAM at the moment of power-on may be random. It is recommended that the customer perform a power-on reset of the display RAM, that is, write all the data 0×00 to the 14-bit display memory address (0×C0-0×CD) after power-on.
2. The SEG pin can only be connected to the anode of the LED, and the GRID pin can only be connected to the cathode of the LED. They must not be reversed.

8 Serial Communication Commands

8.1 Communication Interface

3 lines are required to interface with the VK1624.

STB is the chip select pin. it is used to enable / disable communication with the controller, high level disable(prohibits and initializes internal timing), low level enables. The first byte input by the DIO pin after the falling edge of the STB is used as the command. If the STB is set to high level during instruction or data transmission, the serial communication is initialized and the command or data being transmitted is invalid.

CLK is the clock signal pin. It reads the data of DIO pin to display RAM on the rising edge and outputs the data to DIO pin on the falling edge.

DIN is the data input pin. Input serial data on the rising edge of the clock, starting from the low bit.

8.2 Command Format

The instructions are used to set the display mode and the status of the LED driver.

The first byte input from the DIN port after the falling edge of the STB is taken as the instruction. After decoding, the highest two bits, bit7 and bit6, are selected to distinguish different instructions, as shown in the following table:

bit7	bit6	Function
0	0	Display mode setting command
0	1	Data read and write setting command
1	0	Display control command
1	1	Address setting command

9 Command Description

9.1 Display Mode Setting Command

Set the number of segments and bits for LED display (4 to 7 bits, 11 to 14 SEG).

When this command is executed, the display is forcibly turned off. If the same mode setting is selected, the command will not be executed. When powered on, the default display mode is 11 segments and 7 bits.

bit7	bit6	bit5	bit4	bit3	bit2	bit1	bit0	Display mode
0	0	---				0	0	14seg , 4 bits
0	0					0	1	13seg , 5 bits
0	0					1	0	12seg , 6 bits
0	0					1	1	11seg , 7 bits

9.2 Data Write Setting Command

This command is used for LED display of data writing and reading as well as related commands. bit1 and bit0 bits are not allowed to be set to 01 or 11. When powered on, the bit3-bit0 data is 0.

bit7	bit6	bit5	bit4	bit3	bit2	bit1	bit0	Function	Note
0	1	---				0	0	Data write mode settings	Write the data to the display register
0	1				0			Address increase	address increases automatically
0	1				1			Mode settings	Fixed address
0	1				0			Working	Normal mode
0	1				1			mode settings	Test mode

9.3 Address Setting Command

Set the address of the display RAM (0×C0-0×CD). When powered on, the address is set to C0H by default.

bit7	bit6	bit5	bit4	bit3	bit2	bit1	bit0	Display RAM address	
1	1	---		0	0	0	0	0xC0	
1	1			0	0	0	1	0xC1	
1	1			0	0	1	0	0xC2	
1	1			0	0	1	1	0xC3	
1	1			0	1	0	0	0xC4	
1	1			0	1	0	1	0xC5	
1	1			0	1	1	0	0xC6	
1	1			0	1	1	1	0xC7	
1	1			1	0	0	0	0xC8	
1	1			1	0	0	1	0xC9	
1	1			1	0	1	0	0xCA	
1	1			1	0	1	1	0xCB	
1	1			1	1	0	0	0xCC	
1	1			1	1	1	0	1	0xCD

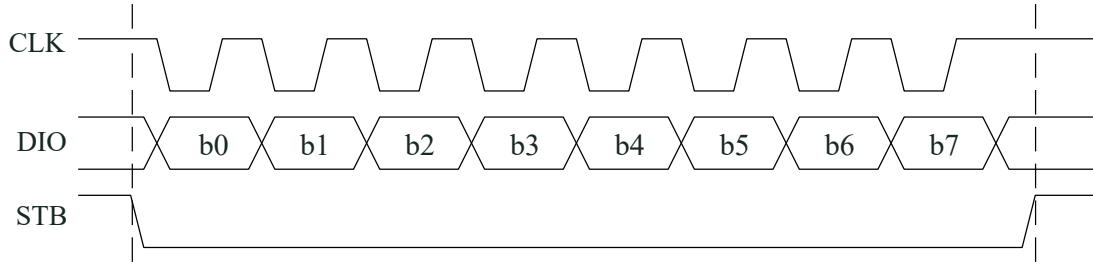
9.4 Display Control Command

Set the display switch and select the display brightness (8 levels).

bit7	bit6	bit5	bit4	bit3	bit2	bit1	bit0	Function	Note
1	0	---			0	0	0	Set the pulse width	Set the pulse width to 1/16
1	0				0	0	1		Set the pulse width to 2/16
1	0				0	1	0		Set the pulse width to 4/16
1	0				0	1	1		Set the pulse width to 10/16
1	0				1	0	0		Set the pulse width to 11/16
1	0				1	0	1		Set the pulse width to 12/16
1	0				1	1	0		Set the pulse width to 13/16
1	0				1	1	1		Set the pulse width to 14/16
1	0			0			Display switch	Show off	
1	0			1				Display on	

9.5 Command Timing

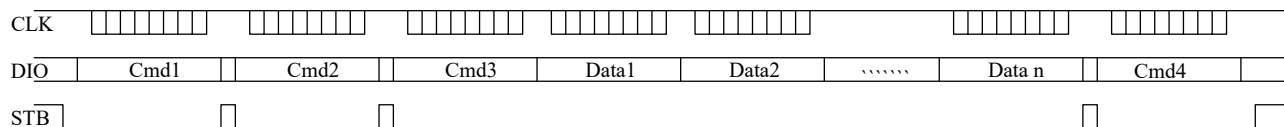
Write commands or display data



10 Command Application

10.1 Send Display Data(address automatically adds 1)

To transfer display data using the address auto-increment mode, first set the starting address of the data to be transferred (corresponding to the display RAM address). After the starting address command word is sent, the STB does not need to be set high and can directly transmit the display data, with a maximum of 14 bytes. Until the last byte of display data is transmitted, the STB is set high.



Cmd1: Display Mode Setting Command - Set the number of segments and bits selected for LED display (can be set during initialization)

Cmd2: Data Read and Write Settings Command - Set Address Auto-increment (0x40)

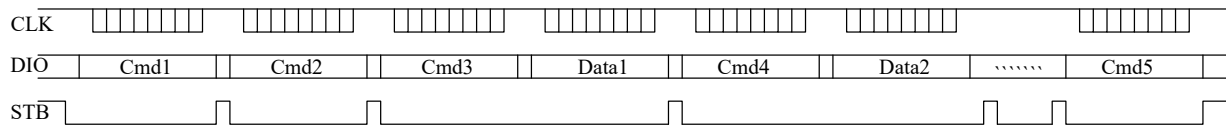
Cmd3: Address Setting Command - Set the display RAM starting address (0xC0-0xCD)

Data1-Datan: Send the display data to the starting address set by Cmd3 and the subsequent display RAM (up to 14 bytes)

Cmd4: Display Control Commands - Display on and set the display brightness level

10.2 Send Display Data (fixed address)

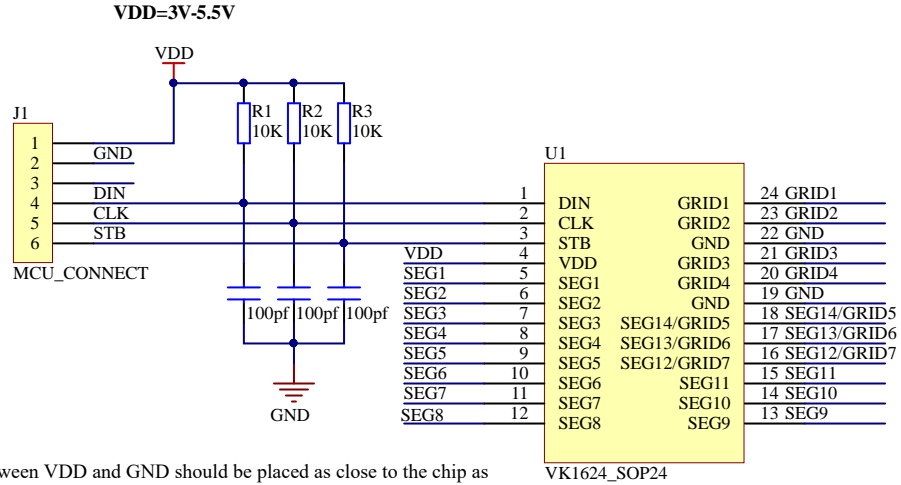
To transfer display data using the fixed address mode, first set the address of the data to be transferred (corresponding to the display RAM address). After the address is sent, the STB does not need to be set high and can directly transfer 1 byte of display data. After the data is transferred, the STB is set high. Send the address of the next display data. The STB does not need to be set high and can directly send 1 byte of display data. After the data is transmitted, the STB is set high. ... Display the data until the last byte is transmitted, with a maximum of 14 bytes.



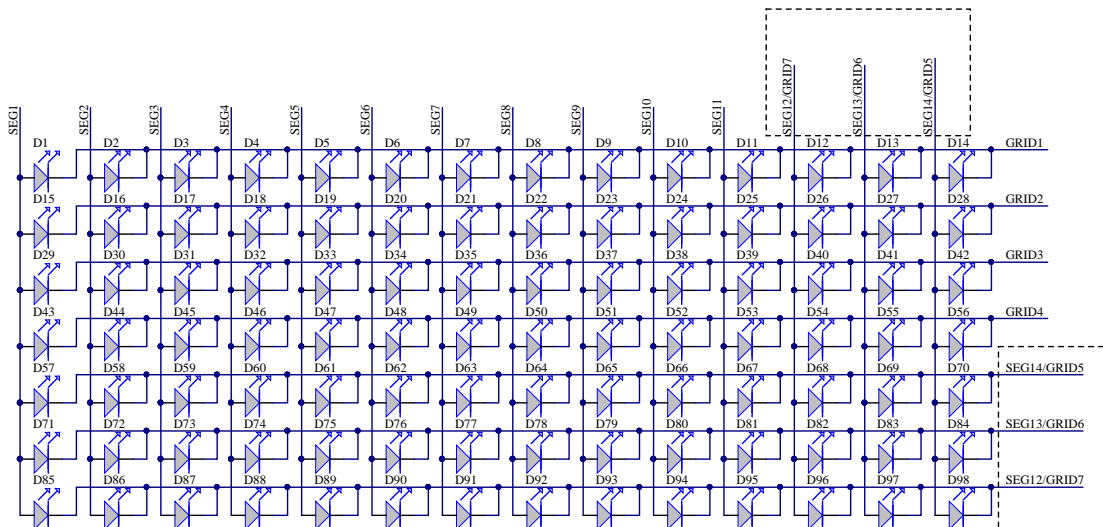
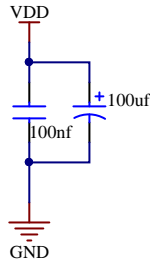
- Cmd1: Display Mode Setting Command - Set the number of segments and bits selected for LED display (can be set during initialization)
- Cmd2: Data Read and Write Settings Command - Set Fixed Address Mode (0x44)
- Cmd3: Address Setting Command - Set Display RAM Address (0xC0-0xCD)
- Data1: Send display data to the display RAM address set by Cmd3
- Cmd4: Address Setting Command - Set Display RAM Address (0xC0-0xCD)
- Data2: Send display data to the display RAM address.... set in Cmd4 A maximum of 14 bytes of data can be transmitted
- Cmd5: Display Control Commands - Display on and set the display brightness level

11 Application Circuits

When the surrounding interference is relatively large, a 10R to 10k resistor and a PF-level small capacitor to ground can be connected in series on the communication pin. When the power supply of the single-chip microcomputer (3.3V) and the driver chip (5V) is inconsistent, it is recommended to add a level conversion circuit on the communication pin



The filter capacitor between VDD and GND should be placed as close to the chip as possible on the PCB board to enhance the filtering effect.



The VK1624 features multiple display modes and allows for the setting of the number of segments and bits:
 11 segments with 7 bits, 12 segments with 6 bits, 13 segments with 5 bits, and 14 segments with 4 bits
 Connect the SEG pin to the anode of the LED and the GRID pin to the cathode of the LED

12 Electrical Characteristics

12.1 Absolute Maximum Ratings

Parameter	Symbol	Ratings	Unit
Supply voltage	VDD	-0.3~7.0	V
Input voltage	VIN	$V_{SS}-0.5 \sim V_{DD}+0.5$	V
Power loss	PD	400	mW
Drive output current	I_{OLGRID}	+250	mA
	I_{OHSEG}	-50	mA
Storage temperature	T_{STG}	-50~+125	°C
Operating temperature	T_{OTG}	-40~+85	°C

12.2 DC Electrical Characteristics

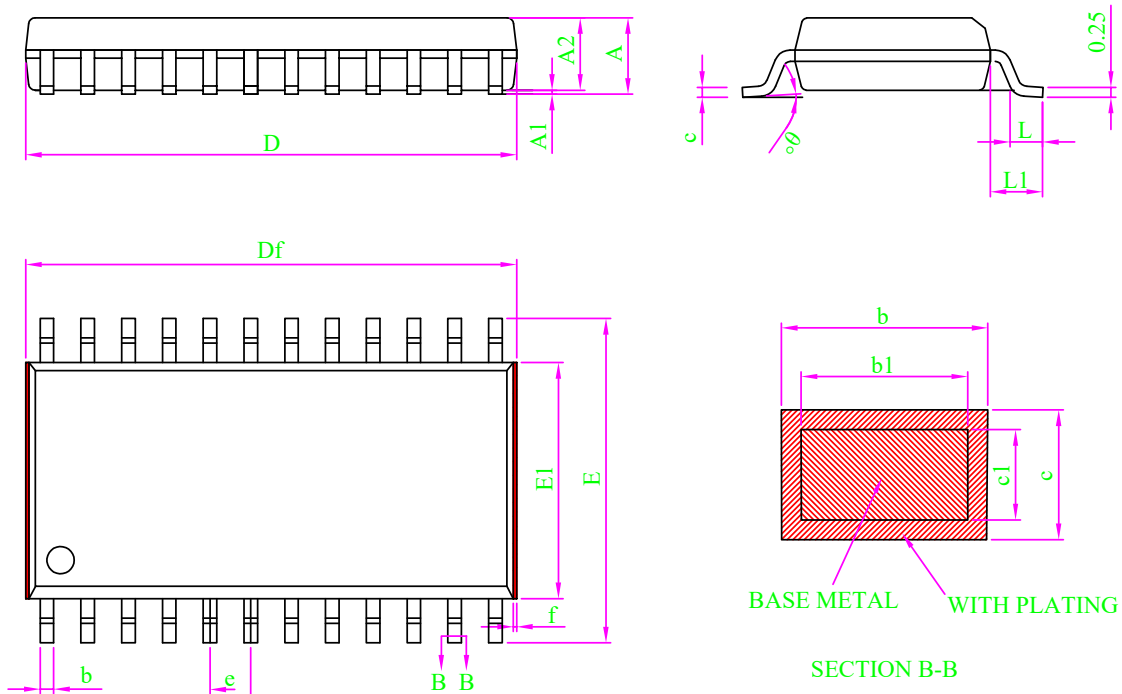
Parameter	Symbol	Min.	Typ.	Max.	Unit	Test Conditions	
						VDD	Conditions
Operating voltage	VDD	3.0	—	5.5	V	—	—
Static current	I_{DD}	—	0.5	1.0	mA	5V	No load /LED off
High-level output current	I_{OHSEG1}	-20	-25	-40	mA	5V	VO=VDD-2V SEG1-SEG11 SEG12/GRID7-SEG14/GRID5
	I_{OHSEG2}	-25	-30	-50			VO=VDD-3V SEG1-SEG11 SEG12/GRID7-SEG14/GRID5
Low-level input current	I_{OLGRID}	100	140	—	mA	5V	VO=0.3V GRID1- GRID4 SEG14/GRID5-SEG12/GRID7
High-level output current tolerance	I_{TOLSEG}	—	—	5	%	VDD	VO=VDD-3V(VDD=5V) VO=VDD-2V(VDD=3V) SEG1 to SEG11, SEG12/GRID7 to SEG14/GRID5
Low-level Input	V_{IL}	0	—	0.3	VDD	VDD	STB, CLK, DIO
High-level Input	V_{IH}	0.7	—	1.0		VDD	

12.3 AC Electrical Characteristics

Parameter	Symbol	Min.	Typ.	Max.	Unit	Test Conditions
Transmission delay time	t_{PLZ}	—	—	300	nS	CLK → DOUT CL = 15pF, RL = 10KΩ
	t_{PZL}	—	—	100	nS	
Rising time	t_{ZH1}	—	—	2	μS	CL=300pF SEG1-SEG11
	t_{ZH2}	—	—	0.5	μS	CL=300pF GRID1-GRID4 SEG12/GRID7~SEG14/GRID5
fall time	t_{THZ}	—	—	1.5	μS	CL=300pF SEGn,GRIDn
Maximum input clock frequency	F_{MAX}	—	—	1	MHz	Duty cycle: 50%
Input capacitance	C_1	—	—	15	pF	—

13 Package Information

13.1 SOP24 (300mil) (15.40mm×7.5mm PP=1.27mm)



Note:

1. All dimension are in m
2. Dim D&E1 does not include plast flash; Df includes plastic flash(f);
Flash: Plastic residual around body edge after de junk/singulation.
3. Dim b does not include damb protrusion/intrusion.
4. Plating thickness 0.007mm-0.020mm

SYMBOL	MILLIMETER		
	MIN	NOM	MAX
A	-	-	2.64
A1	0.10	0.15	0.20
A2	2.24	2.34	2.44
b	0.39	-	0.47
b1	0.38	0.41	0.43
c	0.25	-	0.30
c1	0.24	0.25	0.26
D	15.19	15.29	15.38
Df	15.29	-	15.79
E	10.10	10.30	10.50
E1	7.40	7.50	7.60
e	1.27 BSC		
L	0.71	0.86	1.01
L1	1.30	1.40	1.50
θ	0	-	8°
f	0.05	-	0.20

14 Disclaimer

Warranty and liability — The information provided in this document is believed to be accurate and reliable. However, Shenzhen Vinka Microelectronics Co., Ltd. (hereinafter “the Company”) makes no warranties, express or implied, as to the completeness or suitability of this information for any specific purpose.

In no event shall the Company be liable for any indirect, incidental, or consequential damages, including but not limited to loss of profits, equipment damage, or system failure, arising out of the use of this product or documentation, regardless of the legal theory under which such liability is asserted.

Right to change — The Company reserves the right to modify any information contained herein without prior notice. The latest version of this document is available at:

<https://www.szvinka.com/>

Applicability — This product is not designed or intended for use in life-critical, medical, or safety systems where failure could result in injury or death. The customer shall assume full responsibility for any such use.

Application — All product application descriptions provided herein are intended for illustrative purposes only. The Company makes no representations or warranties, express or implied, regarding the suitability of any specific application without further testing or modification.

The customer is solely responsible for determining whether the Company’s products are appropriate for their intended applications or end customers.

The customer shall ensure proper design practices, implementation safeguards, and operational validation to minimize risks associated with product use.

The Company shall not be held liable for any defects, losses, costs, or damages arising from weaknesses or failures in the customer’s own products or applications, or from the integration or use of third-party products.

Furthermore, the customer shall conduct all necessary testing and validation for any third-party deployment of the Company’s products to avoid potential misuse or associated damages. The Company assumes no liability in this regard.

Commercial terms of sale — Unless otherwise agreed in writing, sales of this product are subject to the Company’s standard terms and conditions of sale. The Company expressly rejects the applicability of the customer’s general terms and conditions.

Export control — This product may be subject to applicable export control regulations. The customer is solely responsible for compliance with such regulations, including obtaining any necessary export licenses.

15 Revision History

No.	Version	Date	Modify the content	Check
1	1.0	2018-08-10	Initial release	YES
2	1.1	2018-10-11	Add reference circuit	YES
3	1.2	2019-03-21	Alignment correction	YES
4	1.3	2025-09-15	Change Description	YES

[1] Please refer to the latest version of this document before starting or finalizing any design.

[2] Since the release of this document, the status or availability of this product may have changed. For the most up-to-date information, please visit:

<https://www.szvinka.com/>